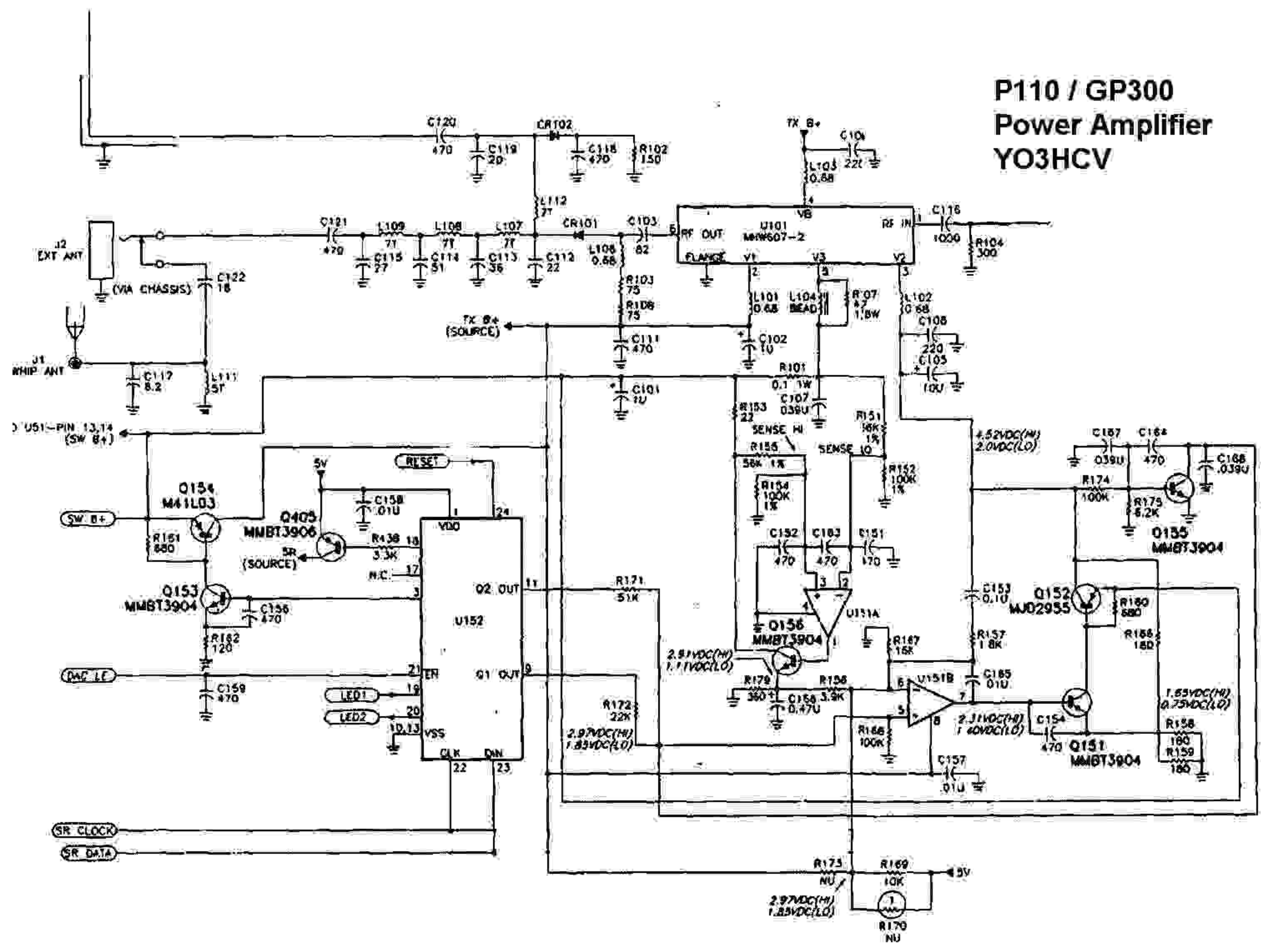
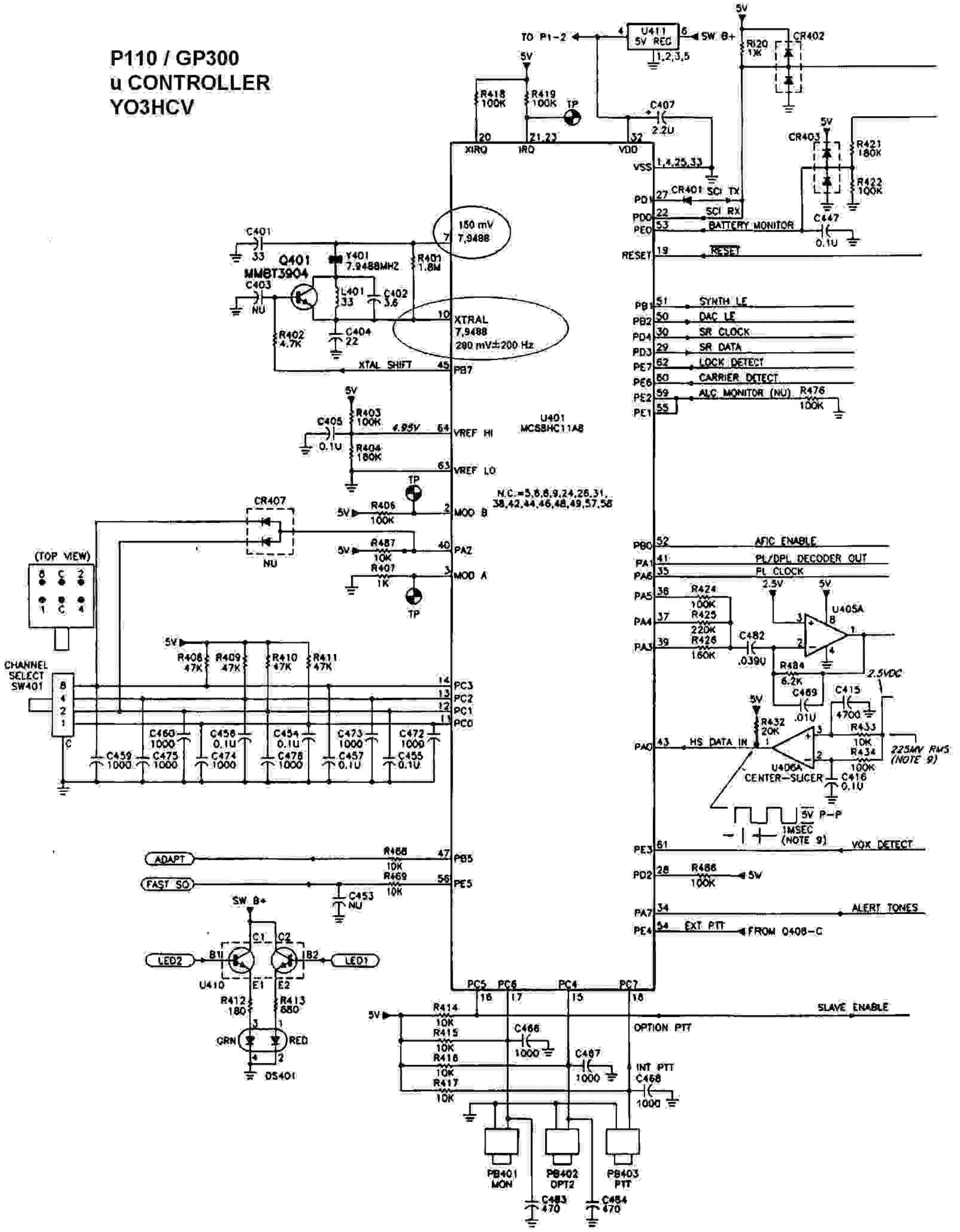


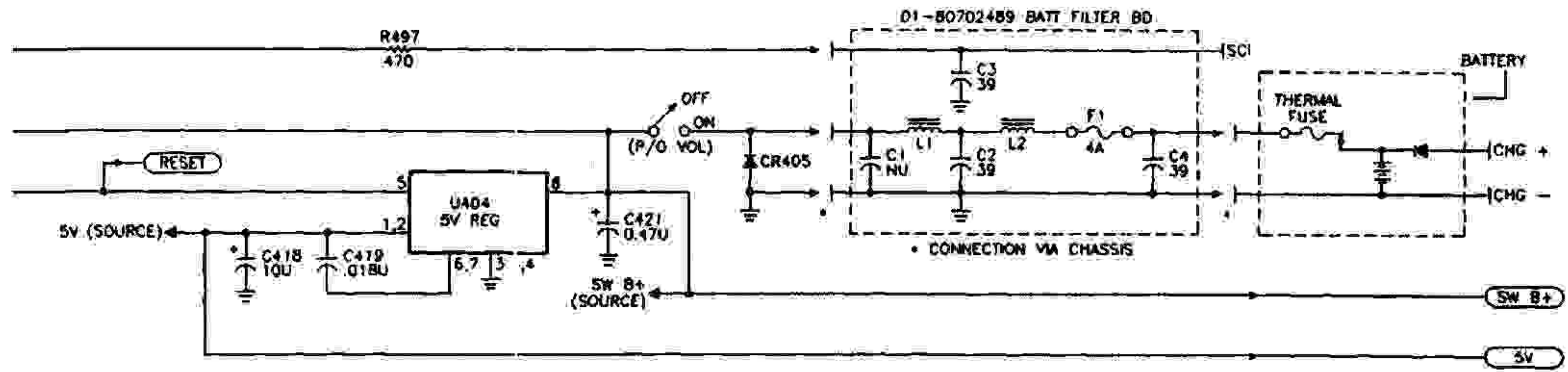
Schematic Diagram for HLD9675C and HLD9677C
VHF Main Boards, 146-174 MHz
(sheet 2 of 2)

P110 / GP300 Power Amplifier YO3HCV

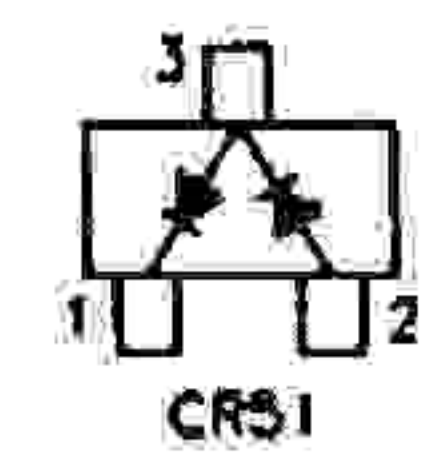


P110 / GP300 u CONTROLLER YO3HCV

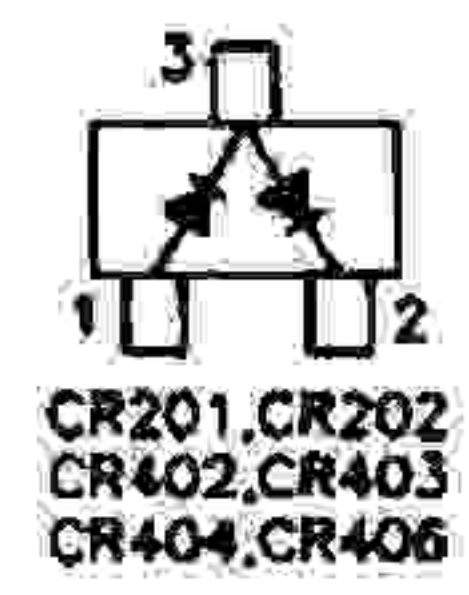




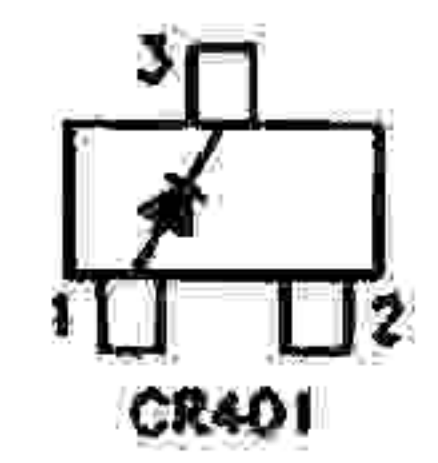
**P110 / GP300
Reset & Power Supply
YO3HCV**



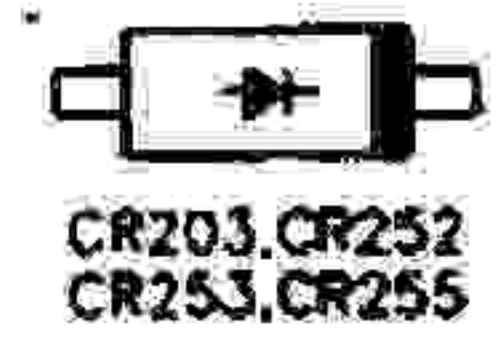
CR51



CR201, CR202
CR402, CR403
CR404, CR406



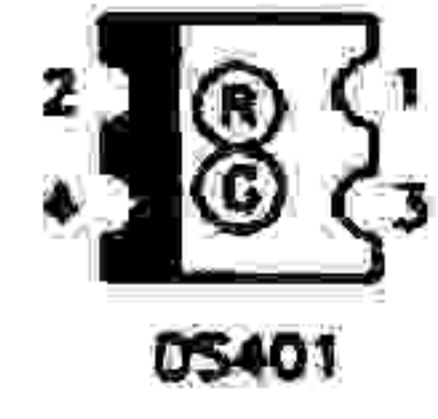
CR401



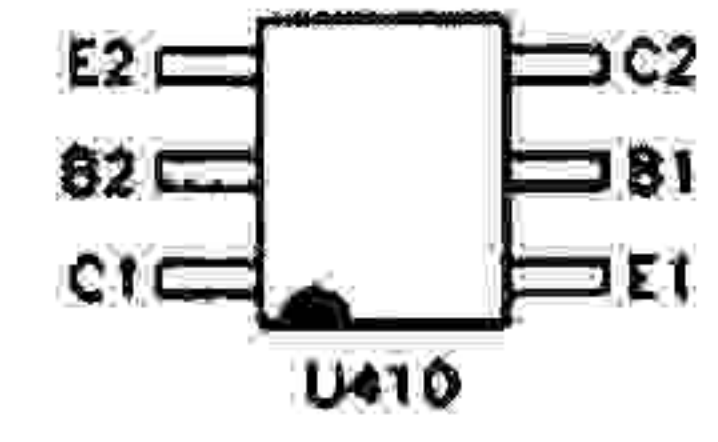
CR203, CR252
CR253, CR255



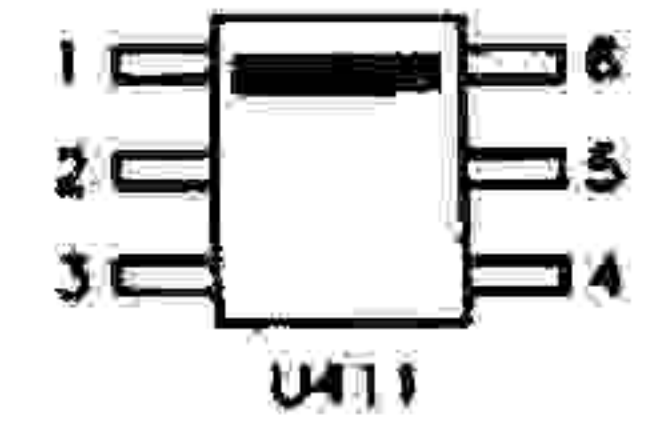
CR101, CR102
CR405



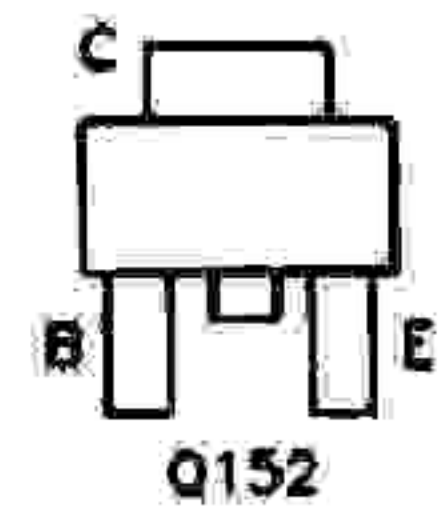
DS401



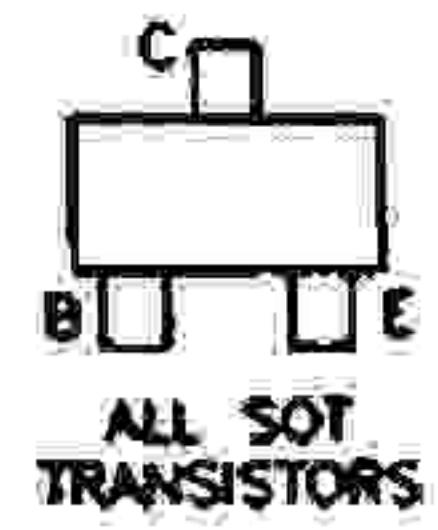
U410



U411

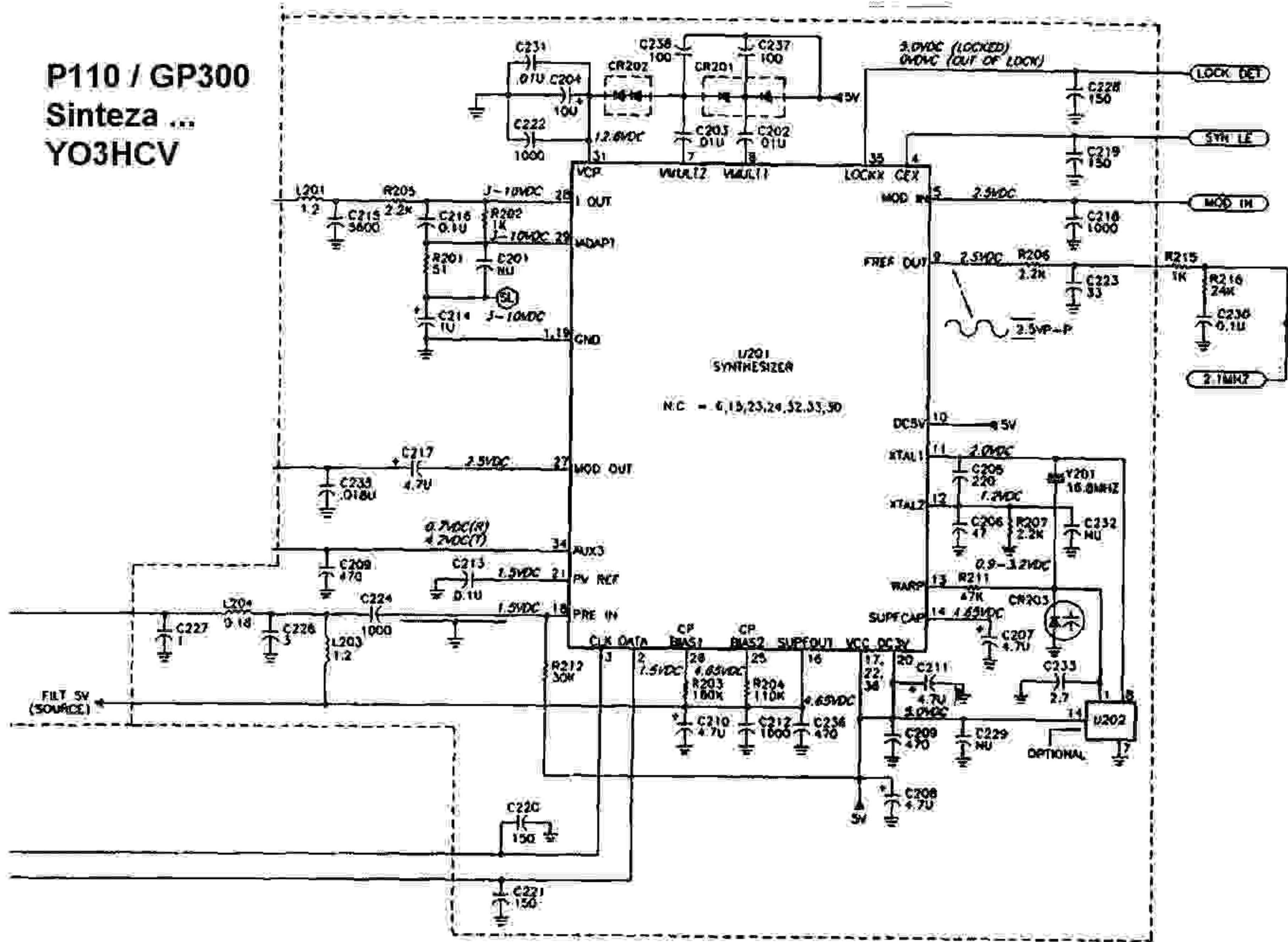


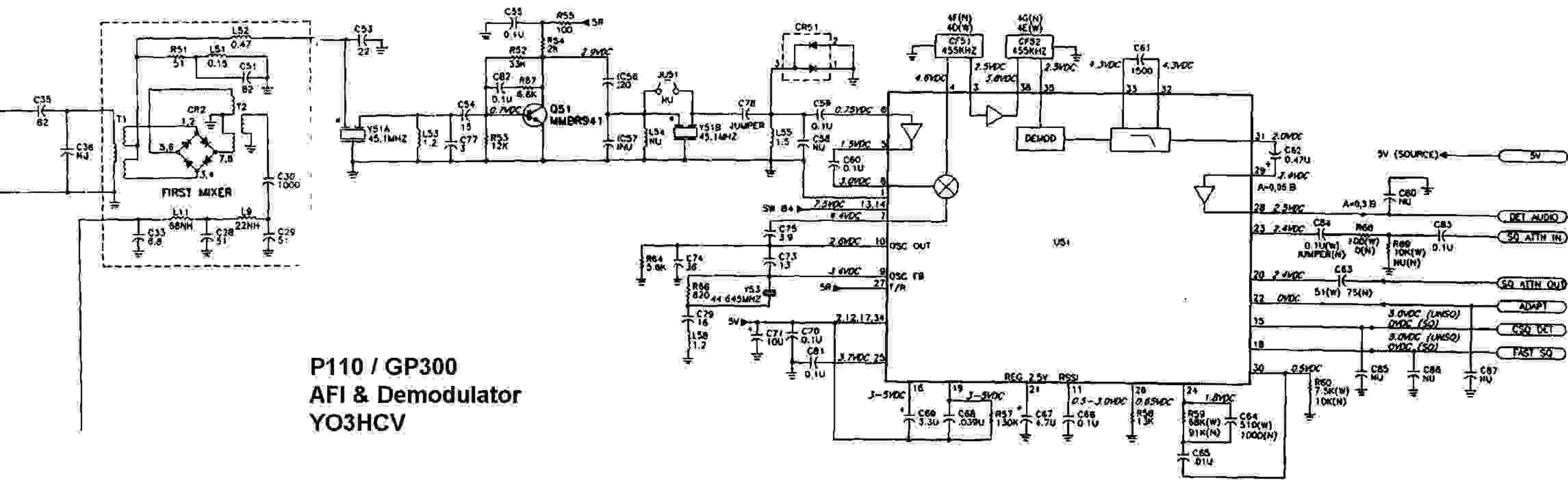
Q152



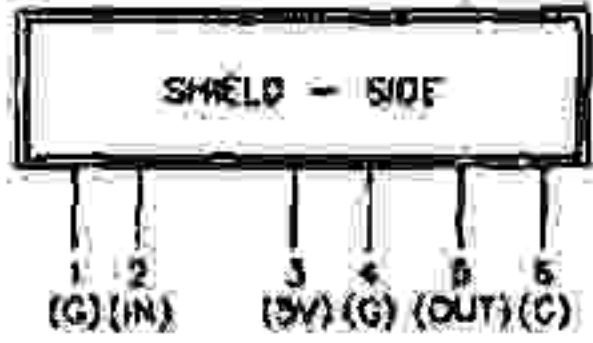
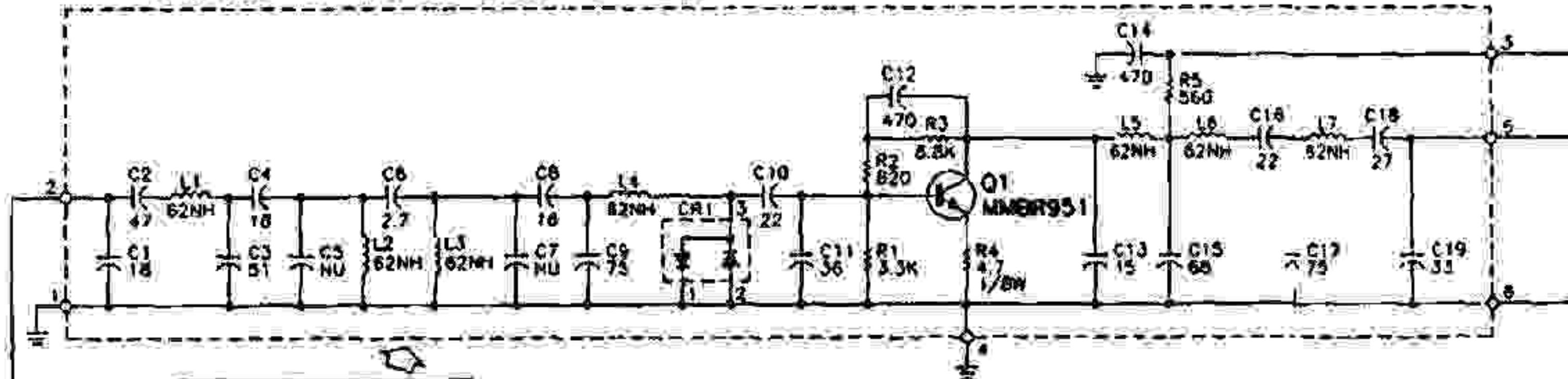
ALL SOT
TRANSISTORS

P110 / GP300
Sinteza ...
YO3HCV

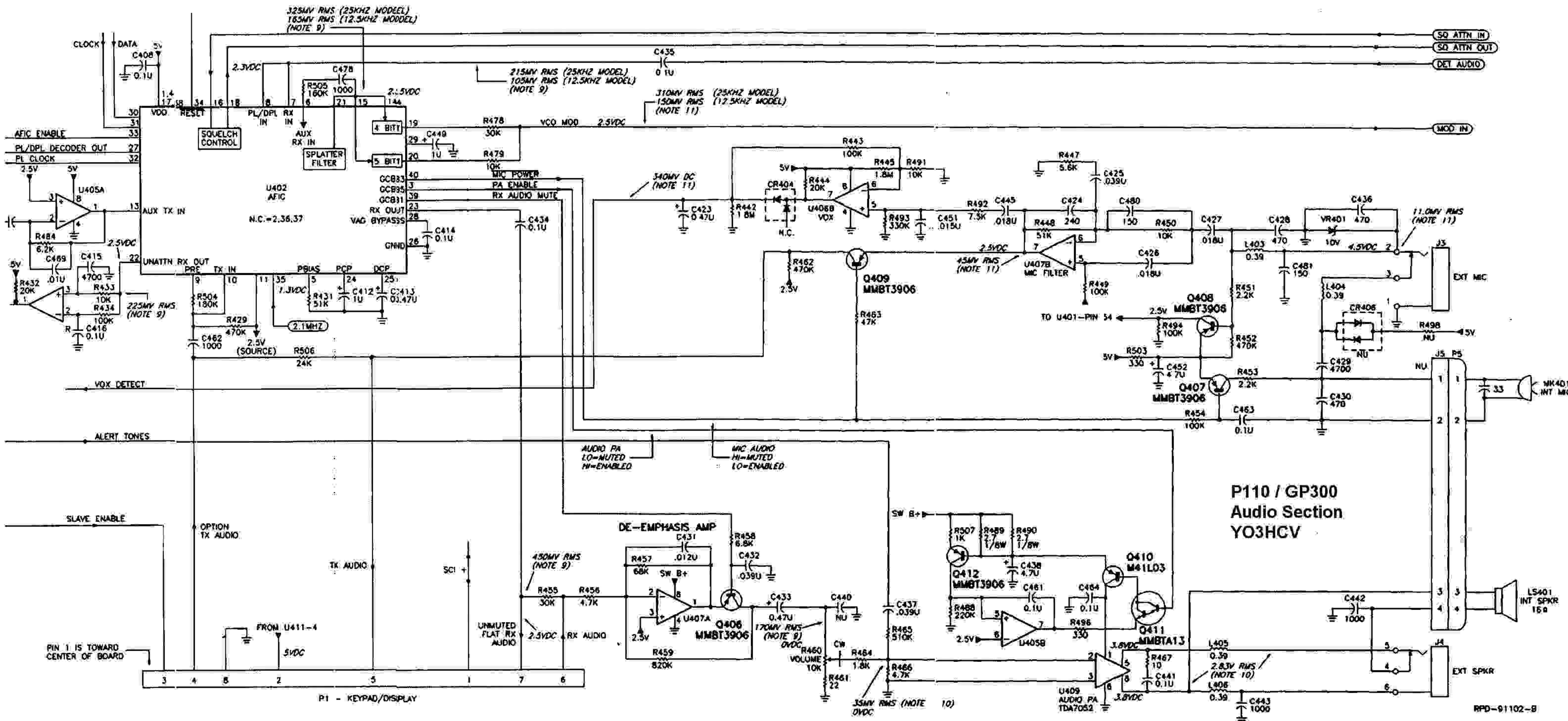




01-80702Y85 VHF FRONT END MODULE 146-174MHZ



P110 / GP300
ARF Section
YO3HCV



**P110 / GP300
Audio Section
YO3HCV**

P110 / GP300
VCO Rx / Tx
YO3HCV

