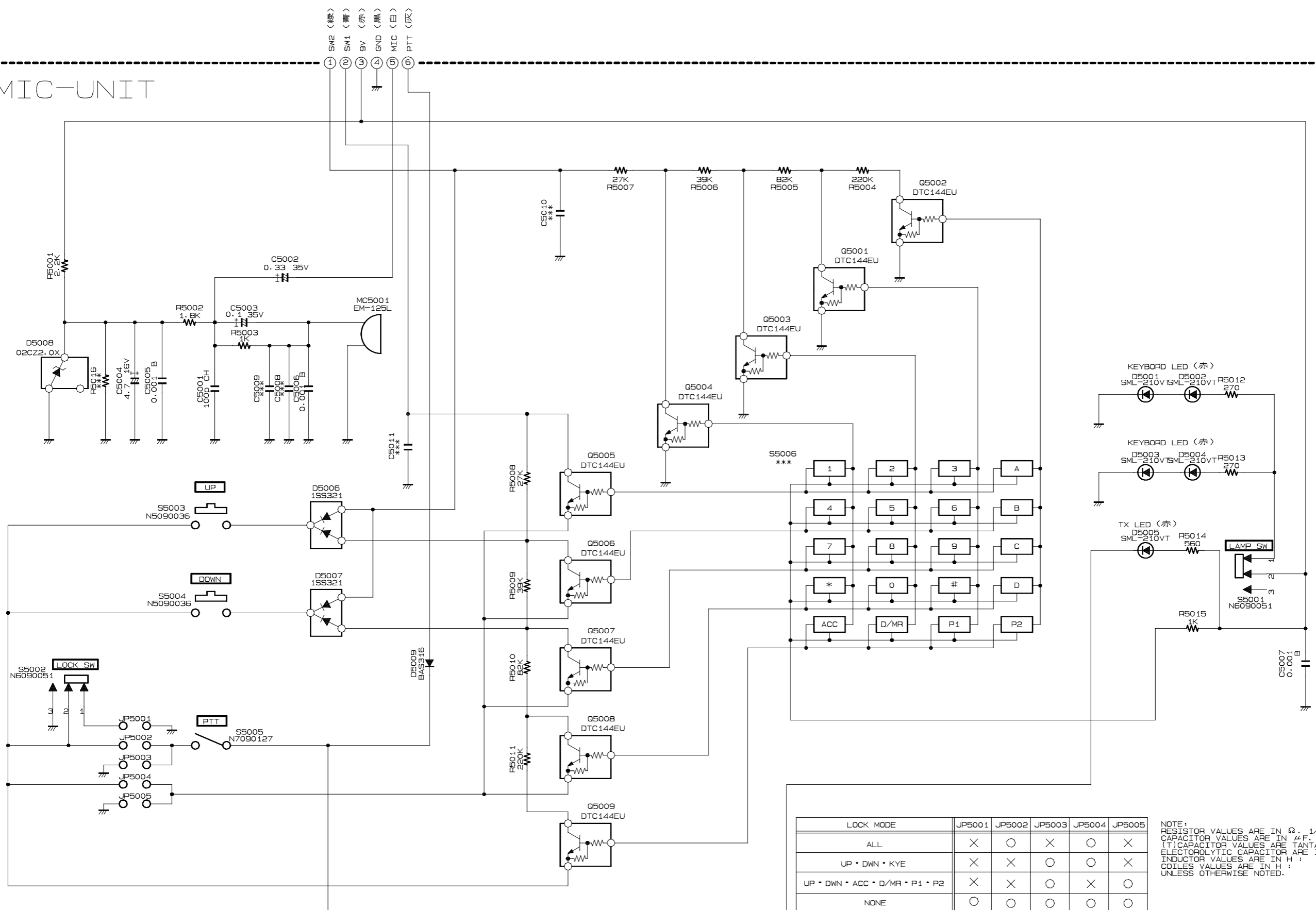


MIC-UNIT



LOCK MODE	JP5001	JP5002	JP5003	JP5004	JP5005
ALL	×	○	×	○	×
UP • DWN • KYE	×	×	○	○	×
UP • DWN • ACC • D/MR • P1 • P2	×	×	○	×	○
NONE	○	○	○	○	○

○ : SHORT
 × : OPEN

NOTE:
 RESISTOR VALUES ARE IN Ω. 1/10W ;
 CAPACITOR VALUES ARE IN μF. 50V ;
 (T)CAPACITOR VALUES ARE TANTALUM ;
 ELECTROLYTIC CAPACITOR ARE IN μF. 16V ;
 INDUCTOR VALUES ARE IN H ;
 COILES VALUES ARE IN H ;
 UNLESS OTHERWISE NOTED.