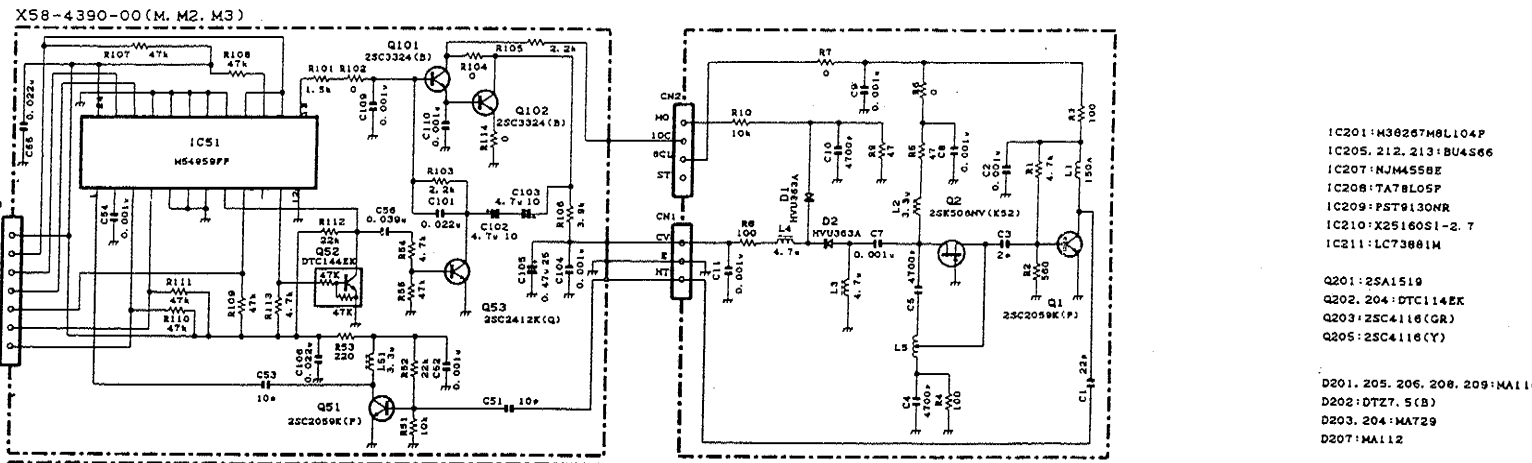
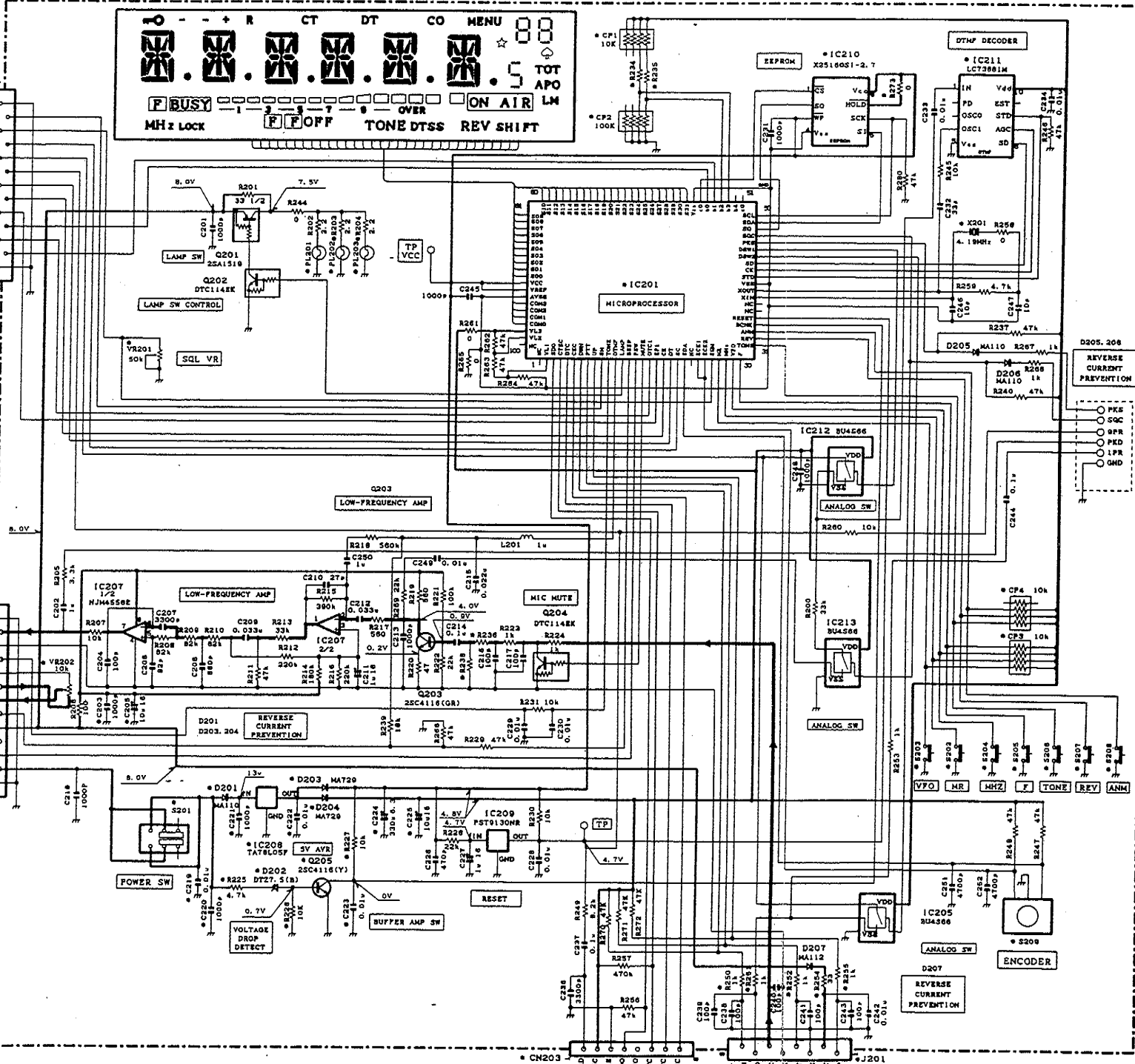


SCHEMATIC DAIGRAM TM-261A



- IC201: M38267M8L104P
- IC205, 212, 213: BU4566
- IC207: NJM4558E
- IC208: TA78L05P
- IC209: PST9130NR
- IC210: X2516051-2.7
- IC211: LC73881M
- Q201: 2SA1519
- Q202, 204: DTC114EK
- Q203: 2SC4116(GR)
- Q205: 2SC4116(Y)
- D201, 205, 206, 208, 209: M1110
- D202: DTZ7.5(B)
- D203, 204: MAT29
- D207: M1112

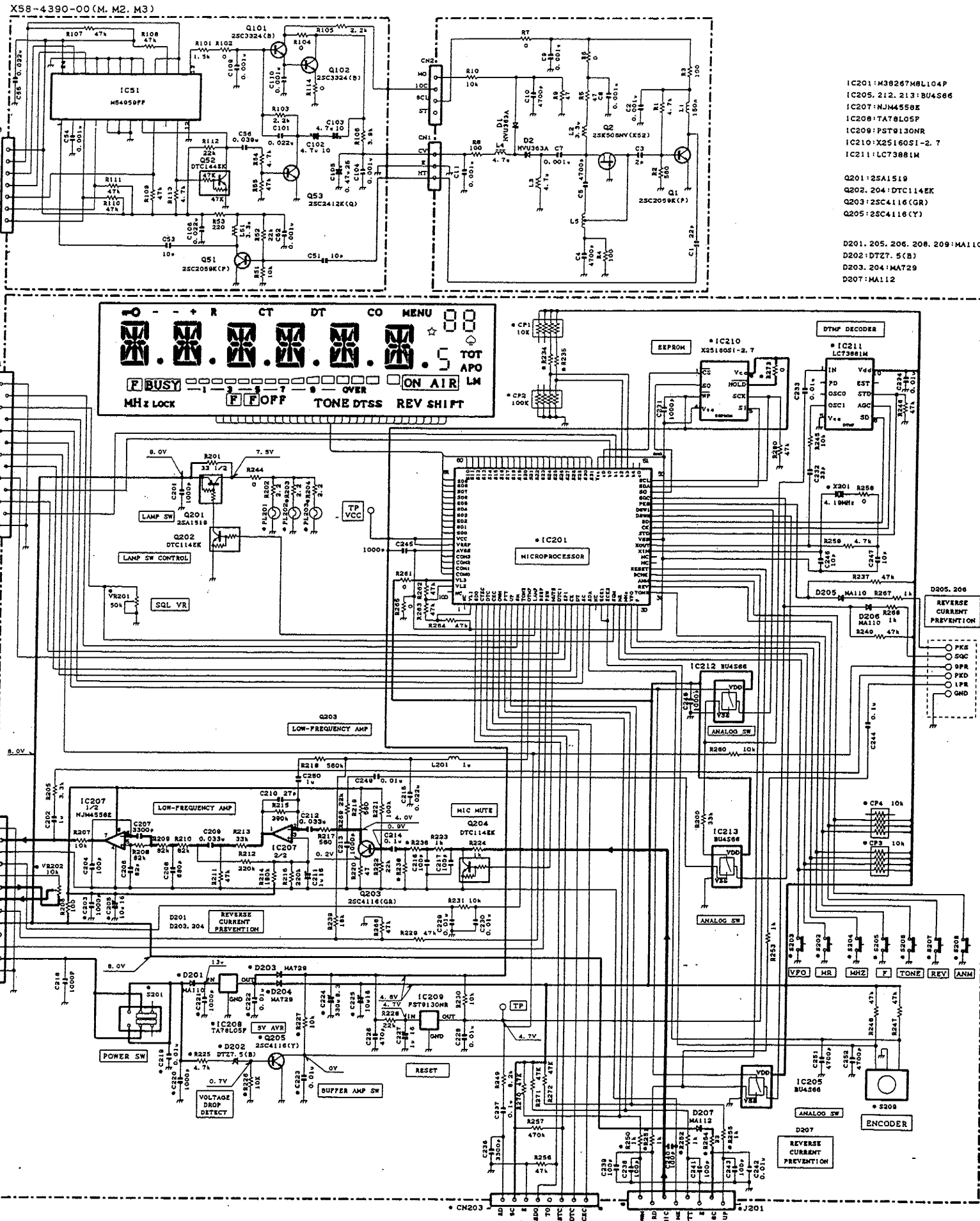


- DTA114YK
- DTC114EK
- DTC124EK
- DTC143EK
- DTC144EK
- DTC144WK
- DTC363EK
- 2SA1037K
- 2SA1519
- 2SC2059K
- 2SC2412K
- 2SC2713
- 2SC3120
- 2SC4116
- 2SC3324
- 3SK131
- 3SK184
- LA4446

- M57737 S-AV17
- TA7787AF
- 2SB1132
- 2SB1302
- FMW1
- 2SD1406
- TA78L06F
- NJM78L05UA
- 2SJ106
- 2SK208
- 2SK508NV
- TA7808S

- BU2090FS
- M54959FP
- M38267M8L103FP
- M38267M8L104FP
- M38267M8L105FP
- LA5010M
- NJM4558E
- LC73881M

SCHEMATIC DAIGRAM TM-261A



- IC201: M38267M8L104P
- IC205, 212, 213: BU4566
- IC207: NJM4558E
- IC208: TA78L05P
- IC209: PST9130NR
- IC210: X25160S1-2.7
- IC211: LC73881M
- Q201: 2SA1519
- Q202, 204: DTC114EK
- Q203: 2SC4116(GR)
- Q205: 2SC4116(Y)
- D201, 205, 206, 208, 209: MA110
- D202: DTZ7.5(B)
- D203, 204: MA729
- D207: MA112

- DTA114YK
- DTC114EK
- DTC123JK
- DTC124EK
- DTC143EK
- DTC144EK
- DTC144WK
- DTC363EK
- 2SA1037K
- 2SA1519
- 2SC2059K
- 2SC2412K
- 2SC2713
- 2SC3120
- 2SC4116
- 2SC3324

- 3SK131
- 3SK184
- LA4446
- TA7787AF
- M57737 S-AV17
- 2SB1132
- 2SB1302
- FMW1
- 2SD1406
- TA78L06F
- NJM78L05UA
- 2SJ106
- 2SK208
- 2SK508NV
- TA7808S
- BU2090FS
- M54959FP
- M38267M8L103FP
- M38267M8L104FP
- M38267M8L105FP
- LA5010M
- NJM4558E
- LC73881M

